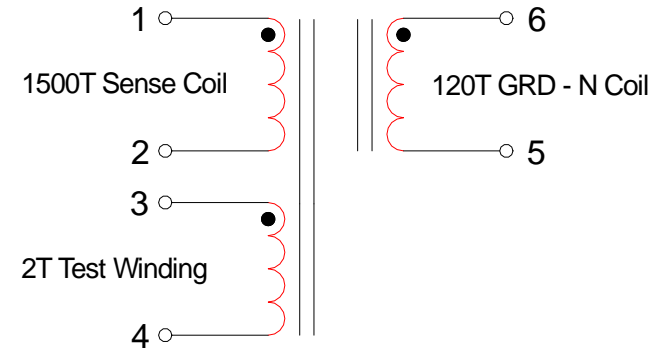
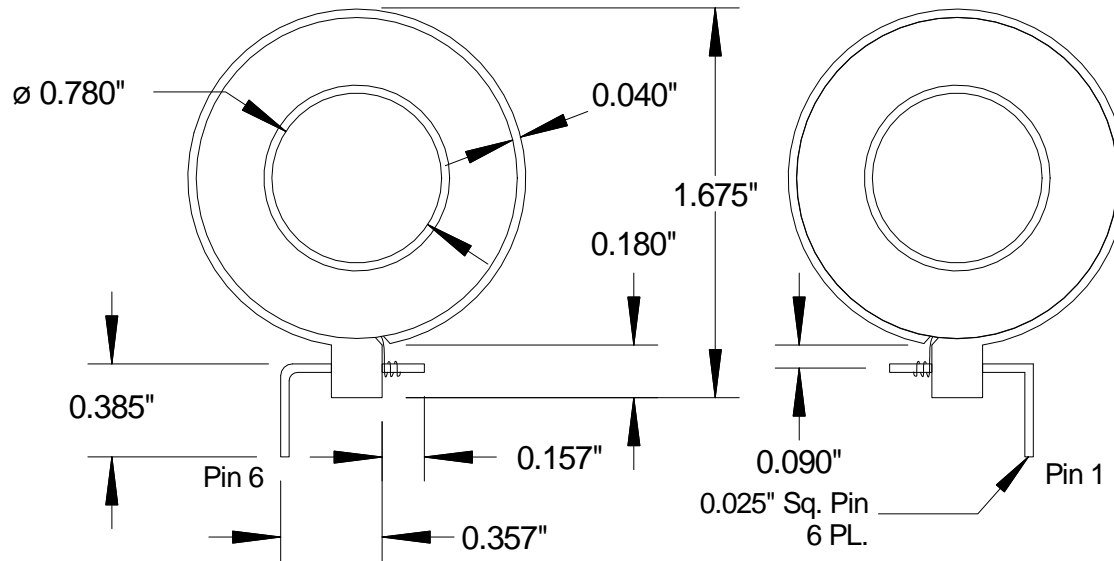


A08-3461-08

GRD - N Coil Side

Sense Coil Side



Electrical Specifications

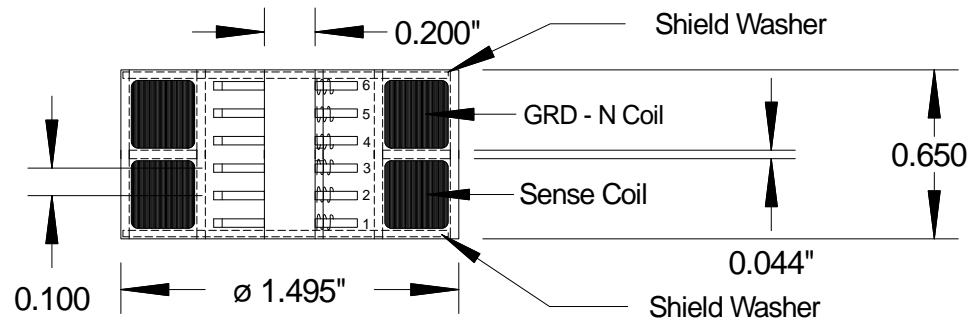
DC Resistance: Pins 1 - 2 = TBD5 Ohms ± 10%
5 - 6 = TBD Ohms ± 10%

Output Voltage: Apply 5 ma thru 1 turn center with 1KOhm Load Resistor from Pins 1 - 2. Measure Pin 1 - 2 = TBD mV

Hipot: 1000 Vrms, 3 sec., Pin 1 & 3 to 6.

Construction Details

1. Sense Coil: 1500T #38 Awg, 155 C Magnet wire on MMC 5045 ring.
2. Ground (GRD) - Neutral (N) Coil: 120T #38 Awg, 155 C magnet wire on ferrite core, F3021.
3. Test Winding: 2T #30 Awg, Solid Green, UL Style 1423 Lead Wire.
4. Shield Washers: 0.020" Thick Cold Rolled Steel
5. Frame Material: Nylon 70G33L Black



REVISIONS	MATERIAL	n/a		C.A. SPALDING CO.	
	FINISH	n/a			
	DRAWN	D. Rollins	DATE	9/14/11	GFCI COIL
	APPROVED		DATE		
THIS DRAWING IS THE PROPERTY OF C.A. SPALDING CO. COPIES ARE ISSUED IN STRICT CONFIDENCE AND SHALL NOT BE REPRODUCED OR COPIED OR USED AS THE BASIS FOR THE MANUFACTURE OR SALE OF APPRATUS WITHOUT WRITTEN PERMISSION.	TOLERANCES		DRAWING NUMBER	REV	
	THOUSANDTHS ± .005 HUNDREDTHS ± .02 ANGLES ± .5° UNLESS OTHERWISE SPECIFIED				A
		SIZE	A08-3461-08		
			SHEET NO 1 OF 1		