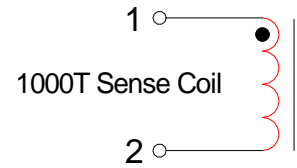
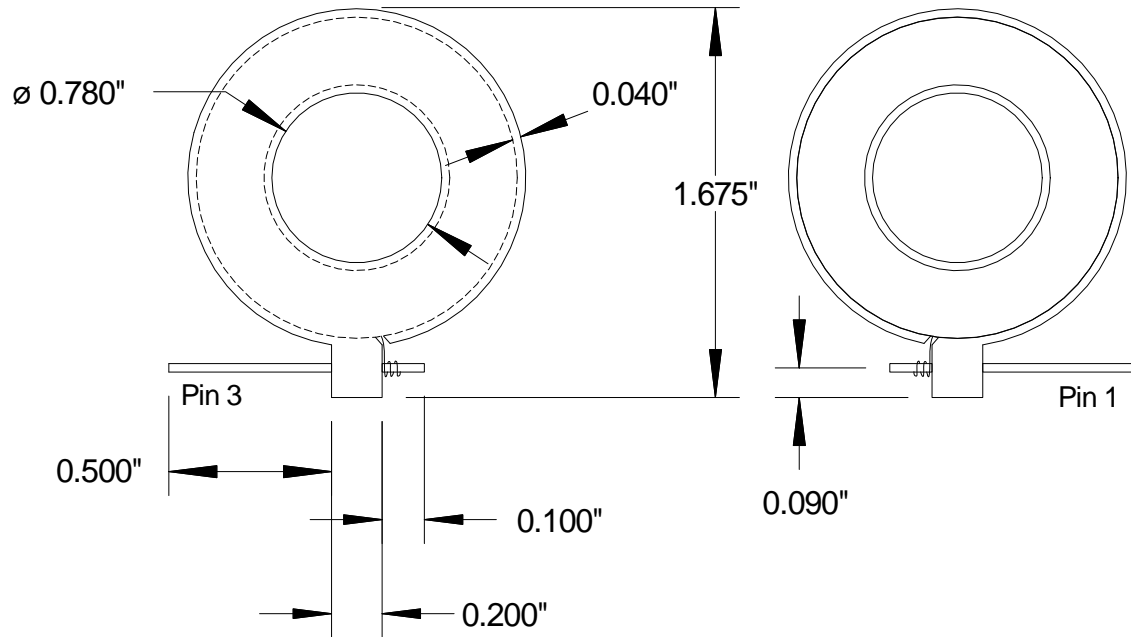
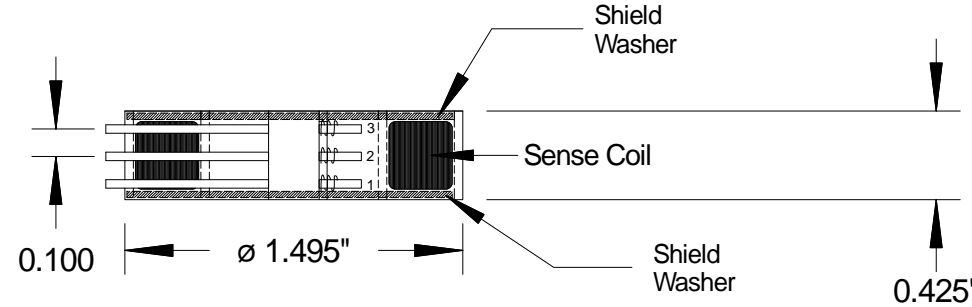


Sense Coil Side



0.025" Sq. Pin  
6 PL.



Electrical Specifications

DC Resistance: Pins 1 - 2 = 45.5 Ohms  $\pm 10\%$

Output Voltage: Apply 5 ma thru 1 turn center with 1KOhm Load Resistor from Pins 1 - 2. Measure Pin 1 - 2 = 4.1 mV

Construction Details

1. Sense Coil: 1000T #38 Awg, 155 C Magnet wire on MMC 5045 ring.
2. Shield Washers: 0.020" Thick Cold Rolled Steel
3. Frame Material: FR530 Black
4. Potted with EPOCAP 17577 epoxy.

REVISIONS  
Rev 2 - Changed case height to 0.425" - D. Rollins 10/30/12  
Rev 3 - Change pin number from 6 to 3. D.Rollins 8/18/14

MATERIAL		n/a
FINISH		n/a
DRAWN	DATE	
D. Rollins	7/11/11	
APPROVED	DATE	

C.A. SPALDING CO.

GFCI COIL

THIS DRAWING IS THE PROPERTY OF C.A. SPALDING CO. COPIES ARE ISSUED IN STRICT CONFIDENCE AND SHALL NOT BE REPRODUCED OR COPIED OR USED AS THE BASIS FOR THE MANUFACTURE OR SALE OF APPRATUS WITHOUT WRITTEN PERMISSION.

TOLERANCES  
THOUSANDTHS  $\pm .005$   
HUNDREDTHS  $\pm .02$   
ANGLES  $\pm .5^\circ$   
UNLESS OTHERWISE SPECIFIED

A  
SIZE

DRAWING NUMBER

A08-3461-06

SHEET NO 1 OF 1

REV  
3